

1. Product Specification Sheet

Chart 1.1

Item		Specifications
Equipment type		Digital panoramic x-ray equipment
Product name		Imageworks PANOURA
Model		XP73
Operational mode		Continuous operation with intermittent bad
High-voltage generator		DC rectification
X-ray generating equipment type		MR-100
X-ray tube focal point		0.5 mm × 0.5 mm
X-ray tube cooling method		Oil cooling
Nominal maximum electric power		0.82kW (82kV, 10mA)
Tube voltage		58, 60, 63, 65, 68, 71, 73, 76, 79, 82kV (±5%)
Tube current		2.0, 2.5, 3.2, 4.0, 5.0, 6.3, 8.0, 10mA (±15%)
Radiation time	Panoramic	Adult 8, 14, 16sec ± (10%+1ms) Child 6.4, 11.2, 12.8sec ± (10%+1ms)
	TMJ	8sec ± (10%+1ms)
	Single	0.10, 0.12, 0.16, 0.20, 0.25, 0.32, 0.40, 0.50, 0.63, 0.80, 1.00, 1.20, 1.60, 2.00, 2.50, 3.20sec ±
	Cephab / Capus	8.0 - 10.0sec ± (10%+1ms) (*)
Electric power supply resistance		Maximum 0.2 Ω or less
Radiographing direction	Panoramic, TMJ	Counter / Counter
Image magnification		1.2 - 1.29 (Panoramic image acquisition, TMJ image acquisition) 1.39 (Single image acquisition) 1.10 (Cephab / Capus image acquisition) (*)
Filter type	Add Filter	1.5mA1
	Radiation orifice plate	0.17mA1 Criteria : Tube Voltage / Current = 85kV / 12mA
Total filtration		2.5mA1 equivalent or over (Current : 82kV)
Leakage dose		0.8mGy/h or less
Leakage dose calculation standards		Tube voltage 82kV, tube current 10mA, Duty 1/40
Duty cycle		1/40
Linearity of X-ray output		±5%
Pixel		100 μm isotropic/pixel
Matrix		64 x 1510 (Panoramic) 64 x 2266 (Cephab)
SID/SOD (Panoramic)		485mm / 350mm
SID/SOD (Cephab)		1650mm / 1500mm
Emergency stop method		Deadman-type / emergency stop switch

Chart 1.2

Item		Specifications
Rated power	Number of phases	Single phase
	Frequency	50 Hz/60 Hz
	Voltage	AC100V – 120V / AC220V - 240V
	Input	2.0kVA
Apparent Resistance Of Supply Mains		$R \leq 0.3\Omega$
Wiring circuit breaker (fuse) type and capacity		20A (over-current release)
Classification		Class I, Type B
Usable life		10 years (when prescribed maintenance and inspections are performed)
Up-and-down stroke		800 mm (short type: 400 mm)
Weight	upright wall-mounted pan type	186 lbs.
	upright base-mount pan type (with optional base)	341 lbs.
	upright wall-mounted cephalo metric normal type	374 lbs.
	upright base-mounted cephalometric normal type (with optional base)	429 lbs.
Operating environment	Temperature	50 to 104°F
	Relative humidity	30 to 75% (no condensation)
	Atmospheric pressure	700 to 1060hPa
Required storing and shipping condition	Temperature	41 to 113°F
	Relative humidity	30 to 75% (no condensation)
	Atmospheric pressure	700 to 1060hPa

*For a Cephalo-attached equipment

2. Features & Configurations

Chart 2.1

No.	Name	Function
1	Driving unit	Contains the driving mechanism of the arm unit.
2	Arm unit	Supports the X-ray head and the sensor and is rotated by the internal driving mechanism.
3	Head unit	Contains the X-ray generator and slits to generate the X-ray beam necessary for image acquisition. *For a Cephac-attached equipment, internal drive switches according to the image acquisition mode selected.
4	Head support unit	Supports and makes immobile the patient's head in X-ray image acquisition.
5	Chin rest base	The chin rest block and bite block are attached in the Panoramic modes and the TMJ adaptor is attached in the TMJ
6	Sensor unit (Detachable)	Converts X-ray absorption data into electronic data in response to the signals from the controller during image acquisition to output to the PC. It also has a movable structure. For panoramic image acquisition, attach the sensor unit to the docking station unit
7	Docking station unit (Panoramic)	For panoramic image acquisition, attach the Panoramic/Cephac-combined sensor here.
8	Chin rest unit	Supports the chin rest base. Equipped with an emergency stop switch at its bottom.
9	Handle	Grasped by the patients to keep postural safety during image acquisition.
10	Patient positioning part	This part is used for patient positioning. The part consists of Chin rest block, Adaptor for edentulous jaw, TMJ adaptor (ADULT), TMJ adaptor (CHILD) and Bite block (disposable)
11	Sliding body	Supports the driving unit mounting the arm and the chin rest unit and moves up or down when the Up or Down switches are pressed. Equipped with a positioning mirror on the front a cover and the power switch at the bottom.
12	Controlpanel	Enables the operator to set any of radiation modes, irradiate the positioning beams, reset the arm unit, and move the arm unit up/ or back/forth.
13	Wallfixing bracket	Fixes the equipment on the wall by means of coach screws.
14	Positioning mirror	Enables the operator to check the patients face for any inclination.
15	Hand switch box	Fixed on the wall outside of the X-ray room and equipped with the irradiation switch. Pressing the radiation switch irradiates X-ray and the arm rotates for image acquisition.
16	Column unit	The sliding mechanism being moved up and down to align to the patient's target level by means of an electric actuator.
17	Power switch	Supplies power to PANOURA 18S (ON: power supplied, OFF: no power supplied.)
18	Emergency stop switch	When pressed in case of emergency, PANOURA 18S stops.

Chart 2.2

No.	Name	Function
19	Base unit (optional)	May be used depending on the strength of the floor, on which the equipment is installed.
20	Cephab unit (*)	Equipped with a head-positioning device (patient-positioning unit) necessary for cephalometric radiography. This unit converts the X-ray absorbed data into electronic data by the signal from the control device and exports the image to the
21	Docking station unit (Cephab) (*)	For panoramic image acquisition, attach the Panorama/Cephab-combined sensor here. Moves during image
22	PC	Enables image information management and processing via the keyboard and mouse.
23	Monitor	Displays Panoramic images and others acquired to use for radiogram interpretation.

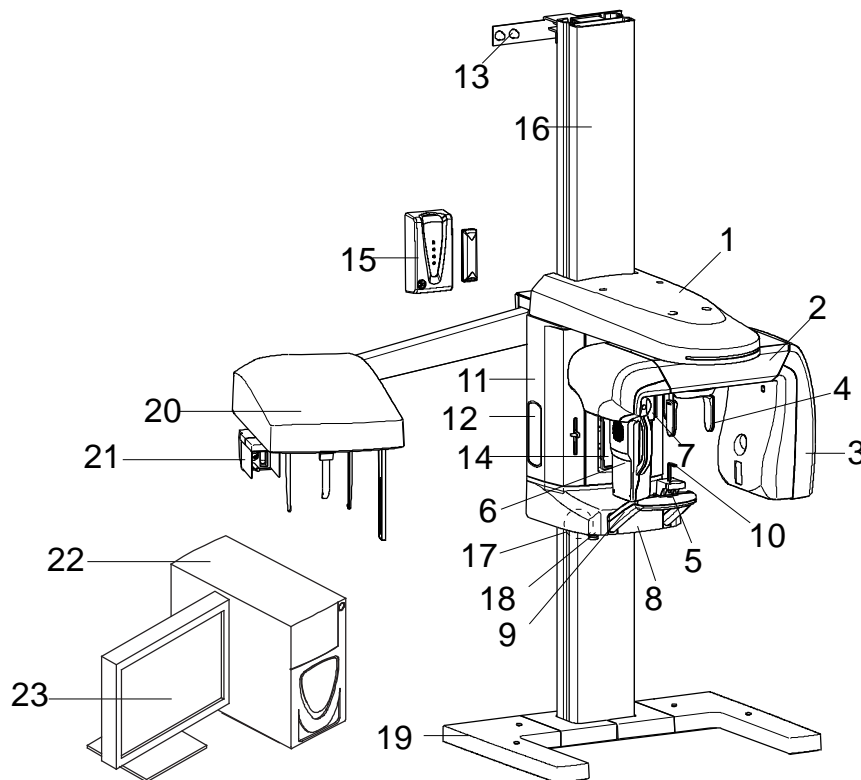
* For a Cephab-attached equipment

* TMJ (Temporomandibular Joint) mode: mandibular images

(2) Patient support goods :

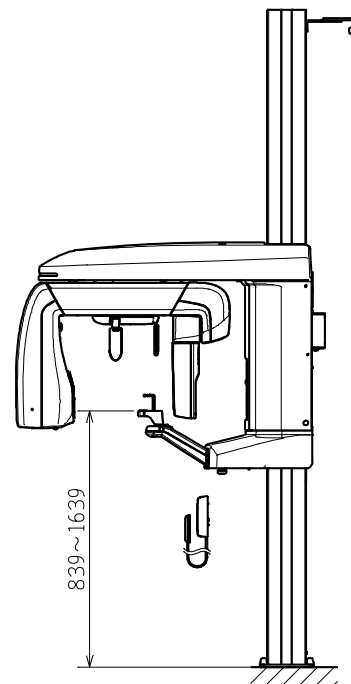
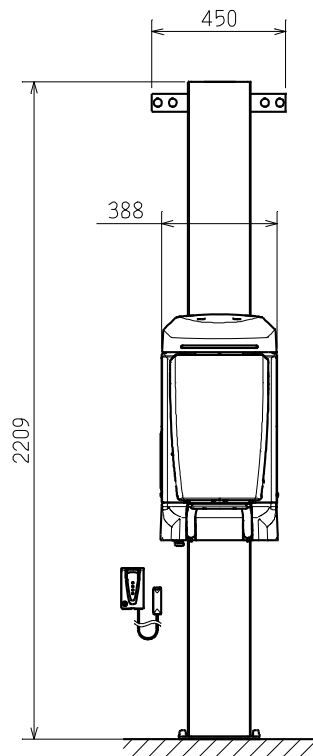
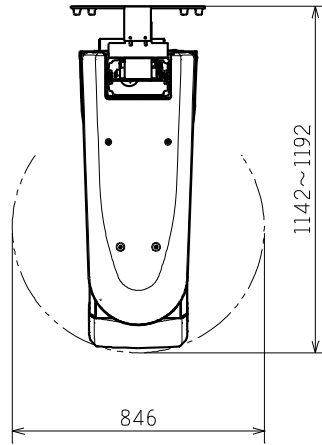
- Head support unit : Head support, Forehead support
- Patient positioning part : Chin rest block, Adaptor for edentulous jaw, TMJ adaptor (ADULT), TMJ adaptor (CHILD), Bite block (disposable).

2.2 Configuration diagram

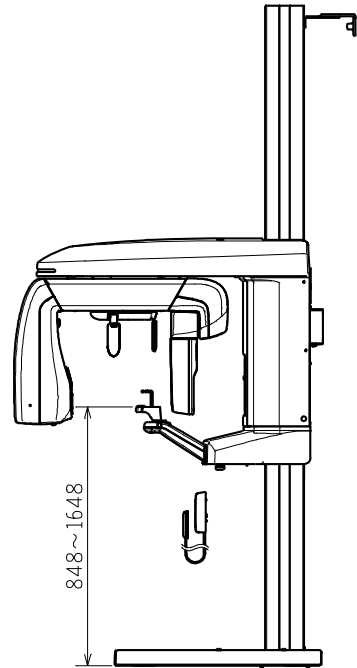
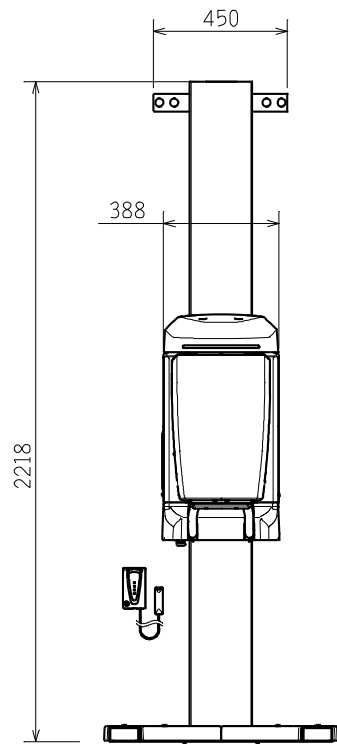
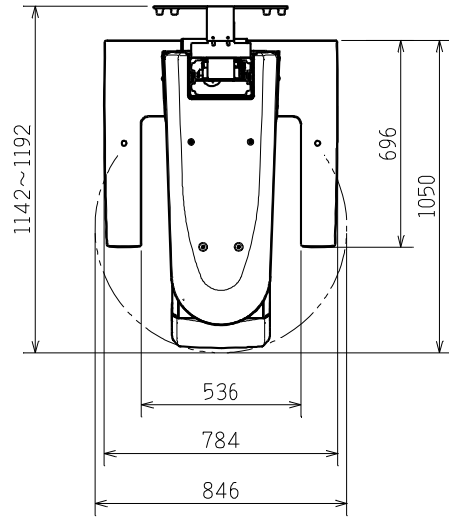


3. Dimension

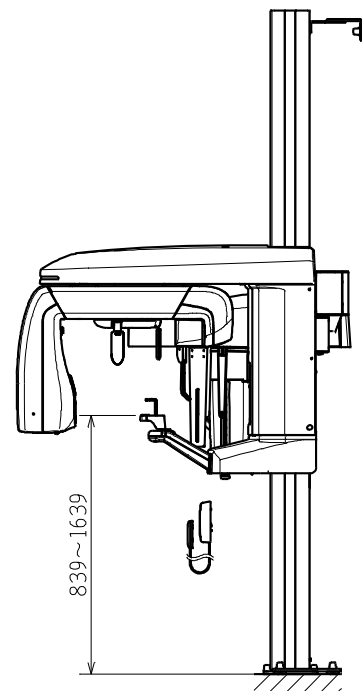
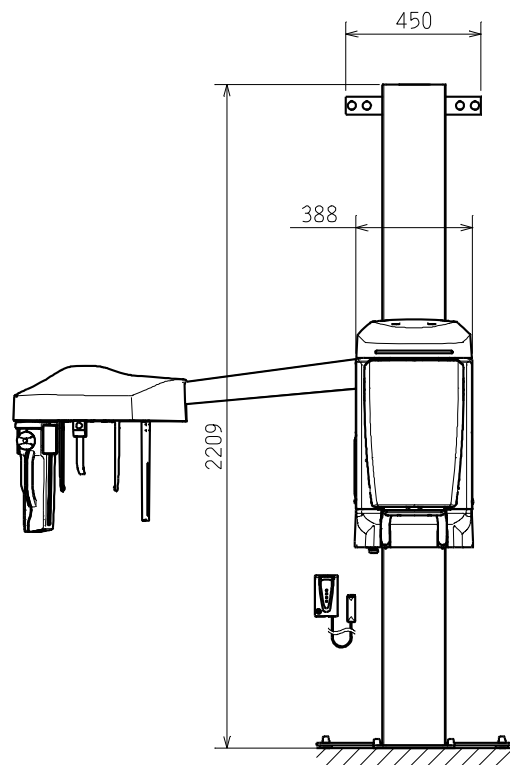
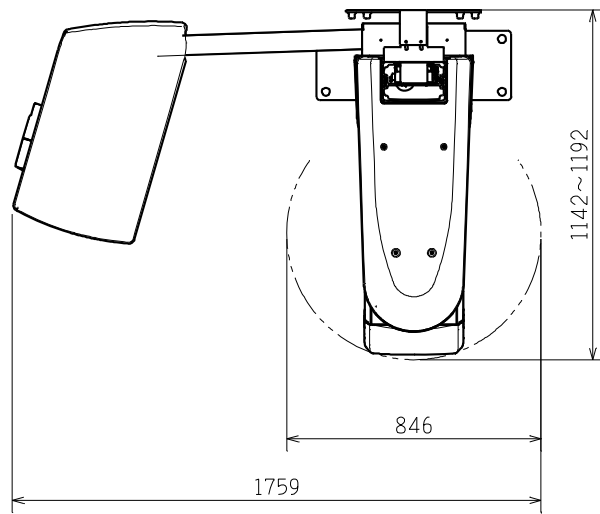
(1) Wall Mounted Panoramic



(2) Free Standing Panoramic



(3) Wall Mounted Panoramic and Cephalometric



(4) Free Standing Panoramic and Cephalometric

