



ROTOGRAPH *Digital*

Digital Panoramic X-Ray System

The Rotograph Digital Panoramic, from Dent-X Corp., features a CCD sensor with a cesium iodide scintillator screen providing high resolution, sharp and clear images of even the finest details. Rotograph Digital can store images directly on CompactFlash memory cards, or can transfer them directly to your PC in real-time through the provided USB 2.0 connection. The ProImage software, supplied with the unit, allows you to easily acquire, process, print and store your images. Advanced post-processing features also enable you to appropriately enhance your images to get the best diagnostic value out of each exam. Available exams, for adults and children, include panoramic, sinus/paranasal sinus, and open/closed mouth TMJ.

Examination Programs

- Rotograph Digital contains Panoramic examination application only.
 - Panoramic - adult
 - child
 - child with deceleration ramp for spine compensation
 - TMJ - open/close mouth (4 images on the same film: left/right, open/close)
 - Paranasal Sinus

Anatomic Programs

- Patient size 3 choices: small, medium, large

Generator and X-Ray Tube:

- Automatic line voltage compensation
- High voltage: 60 - 85kVp in 5kV steps
- Current: 10mA
- Exposure times:
 - Panoramic 17 sec panoramic adult 14 sec panoramic child
 - TMJ Open/Closed 10.4 sec panoramic adult 9.4 sec TMJ child
- Focal Spot size: 0.5 (IEC336)
- Heat storage capacity: 30kJ (40kHU)
- Total filtration: 2.5mm Al eq.
- Duty cycle: 1 exposure every 4 minutes for Pan and TMJ

Image Magnification

- Panoramic, TMJ 1:1.2 average

Standard Accessories

Byte stick support
Chin rest
Hand-held keyboard with LED display and extensible cable
5 bites with sticks

Digital X-Ray Image Sensor

- CCD Type: CsI Scintillator on Fiber Optics
- Sensor Dimensions: 147mm x 6mm
- Image Size: 2695 x 1531 pixels
- Pixel Size: 96 x 96 um (binned)



Product Data

- Analog to Digital Conversion: 12 bit (4069 grey shades)
- Image Format: BMP (lossless)
- Output: USB 2.0

Mechanical Characteristics

- source to image distance 500 mm (19.7") (pan, TMJ)
- vertical column movement 834 mm (32.8"), manual balanced
- Weight: 540 Lbs (245 kg)
- Total height max: 2310mm (91")
- Operating surface: 1170x1140mm (46.0"x44.9") basic version
- Type of installation wall mount or floor mount. Choice at order

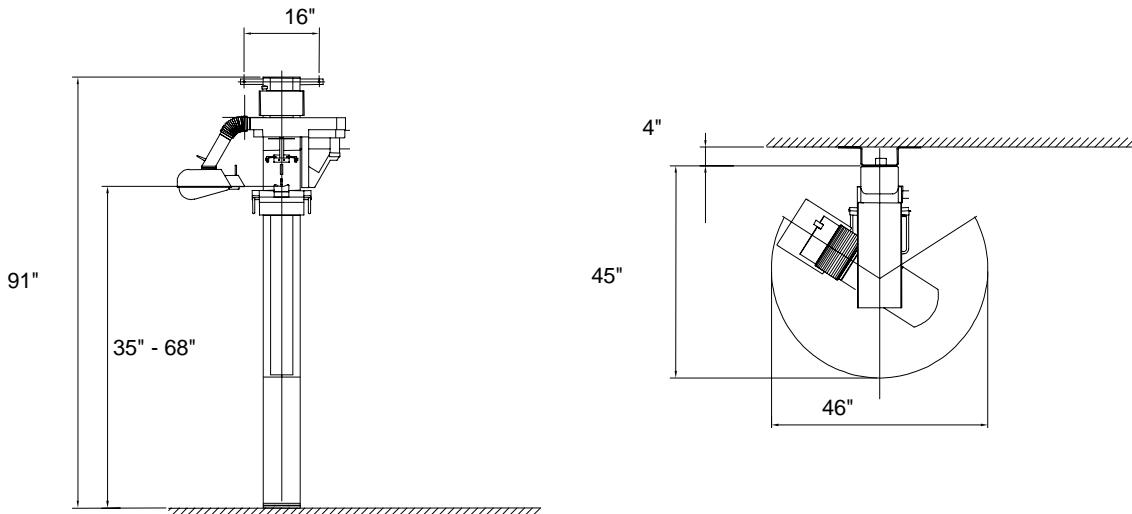
Electrical and Environmental Characteristics

- Power supply voltage: 120 Vac ($\pm 10\%$) single phase
- Frequency: 60 Hz
- Current rating: 10 A max @108 Vac
- Power rating: 1.15 kVA
- Operative temperature range: $+10^{\circ}\text{C} \div +40^{\circ}\text{C}$ ($50^{\circ}\text{F} \div 104^{\circ}\text{F}$)
- Operative relative humidity: $30\% \div 75\%$

Standards: The Rotograph Digital system (*US version, 120V*) carries the following marks:

 CE mark
  FDA listed
  ETL approval

Dimensions (quotes in mm and inches). The figure shows the ceph version



Note: Products are continuously under review in the light of technical advancement. The actual specification may therefore be subject to improvement or modification without notice.