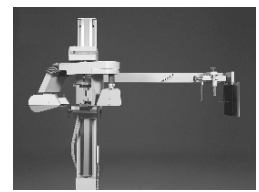




**Visionary Imaging**



Product Data

# ROTOGRAPH Plus and ST

Panoramic / Cephalometric X-Ray System

## Examination Programs

- Rotograph ST contains Panoramic examination application only.
- Rotograph Plus:
  - Panoramic - adult
    - child
    - child with deceleration ramp for spine compensation
  - TMJ - open/close mouth (4 images on the same film: left/right, open/close)
  - Sinus Studies
  - Cephalometric: Optional. Only for Rotograph Plus.

## Anatomic Programs

- Patient size 3 choices: small, medium, large

## Generator and X-Ray Tube:

- Automatic line voltage compensation
- High voltage: 60 - 85kVp in 5kV steps
- Current: 10mA
- Exposure times:
  - 17 sec panoramic adult
  - 14 sec panoramic child
  - 15 sec panoramic child with slow-down ramp for spine compensation
  - 10.4 sec TMJ adult
  - 9.4 sec TMJ child
  - 0.2 - 3 sec in 19 steps for ceph
- Focal Spot size: 0.5 (IEC336)
- Heat storage capacity: 30kJ (40kHU)
- Total filtration: 2.5mm Al eq.
- Duty cycle:
  - 1 exposure every 4 minutes for Pan and TMJ
  - 1 exposure every 60 seconds for CEPH

## Image Magnification

- Panoramic, TMJ 1:1.2 average
- Ceph 1:1.1

## Standard Accessories

One curved cassette 5"x12" (12.7x30cm) with screens for panoramic and TMJ

One flat cassette 8"x10" with screens. Only for ceph version

Byte stick support

Chin rest

Hand-held keyboard with LED display and extensible cable

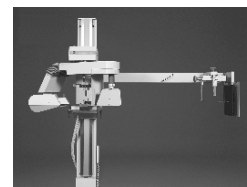
5 bites with sticks

## Cassette Size

- Pan, TMJ curved 5"x12" (12.7x30cm), 1 mm Al eq. Filtration @ 70kV
- Cephalometric: flat, 8"x10", asymmetrical



**Visionary Imaging**



### Mechanical Characteristics

- source to image distance 500 mm (19.7") (pan, TMJ)  
1650 mm (65") (ceph)
- vertical column movement 834 mm (32.8"), manual balanced
- Weight: 236kg (520 lb) Basic version  
260kg (573 lb) ceph version
- Total height max: 2310mm (91")
- Operating surface: 1170x1140mm (46.0"x44.9") basic version  
1970x1140mm (77.5"x44.9") ceph version
- Type of installation wall mount or floor mount. Choice at order

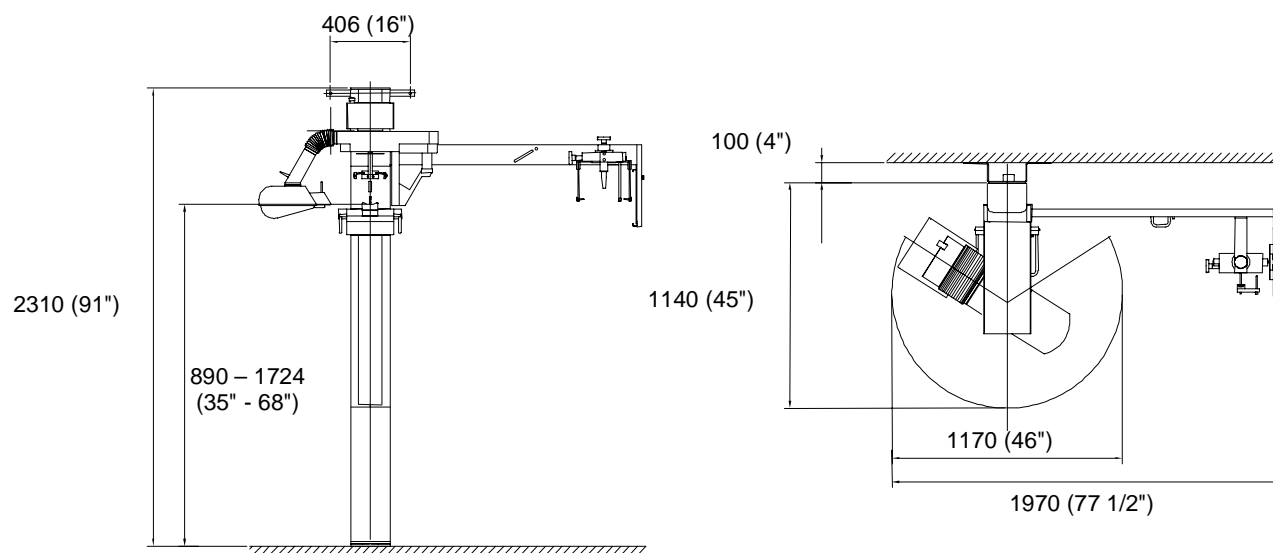
### Electrical and Environmental Characteristics

- Power supply voltage: 120 Vac (±10%) single phase
- Frequency: 60 Hz
- Current rating: 10 A max @108 Vac
- Power rating: 1.15 kVA
- Operative temperature range: +10°C ÷ +40°C (50°F ÷ 104°F)
- Operative relative humidity: 30% ÷ 75%

**Standards:** The Rotograph Plus system (*US version, 120V*) carries the following marks:

CE mark      FDA approval      ETL approval

**Dimensions (quotes in mm and inches).** The figure shows the ceph version



**Note:** Products are continuously under review in the light of technical advancement. The actual specification may therefore be subject to improvement or modification without notice.

Dent-X  
250 Clearbrook Rd., Elmsford, N.Y. 10523  
Tel. (914) 592-6100, Fax (914) 592-6148  
website: www.dent-x.com