

- ❑ Designed For The Mobile Imaging Center
- ❑ Convenient For Patient And Practice
- ❑ Multiple FOV And Resolution For All Specialties
- ❑ Improves The Dentist's Economic Profile
- ❑ Uses Patented Safebeam™ Technology
- ❑ The Highest Image Quality

VGi Flex

The NewTom VGi Flex is the only cone beam scanner on the market engineered for mobile solutions. The NewTom VGi Flex has all the features of the VGi unit, but is built with added protection for mobility.

that goes where you want your practice to go.

Whether in your clinic or in your mobile office, ImageWorks stands behind its products with a two year manufacturer's warranty,* ensuring that your practice goes wherever the road takes you.

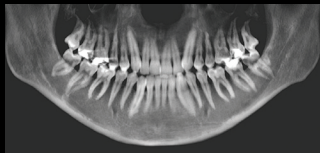
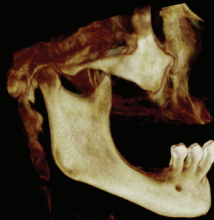
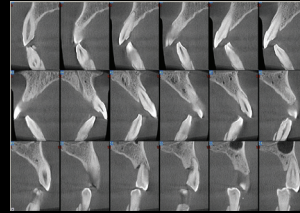
* 2 year manufacturer's warranty applicable in the United States and Canada only.

Some sensitive CBCT machines often require extensive calibration processes and timely warm-up periods, making mobile applications difficult. With one-button calibration and a simple, fast warm-up period, the NewTom VGi Flex makes going on the road easy.

NewTom VGi Flex fits in a variety of van configurations to suit your needs, making the NewTom VGi Flex the Cone Beam 3D machine



full vertical panel

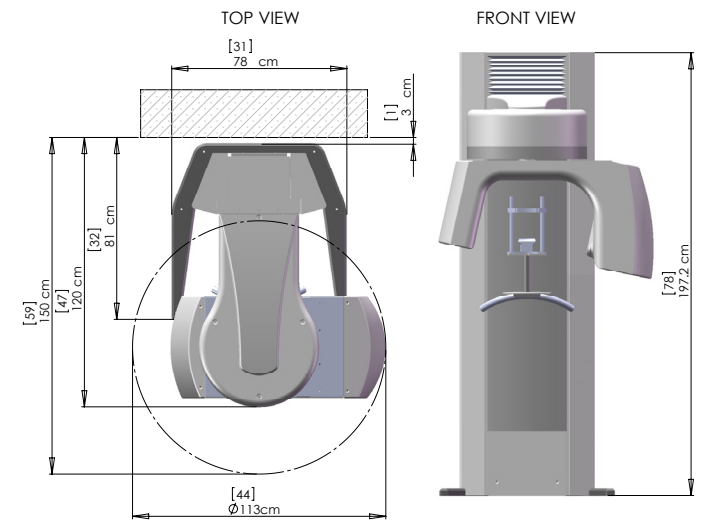


NewTom

Cone Beam 3D Imaging

X-ray Source	High frequency, constant potential (DC), rotating anode: 110 kV; 1-20 mA (pulsed mode)					
Focal Spot	0.3 minimum (IEC 60336)					
X-Ray Cone Beam	Proprietary SafeBeam™ control reduces radiation based on patient size.					
Effective Dose	100 µSv HiRes Scan, 49 µSv Standard Res Full FOV (ICRP 2007, estimate for adult)					
X-ray Emission Time	3.6s in standard mode					
Image Acquisition	360 Images - 360 degree rotation					
Image Detector	Amorphous silicon flat panel, 20 cm x 25 cm (Field of View)					
Signal Grey Scale	14-bit					
Scan Time	18s/26s					
Multiple Scan Modes	FOV Sizes (cm)		Voxel Size Options (µm)			
	Diameter	Height				
Standard Scan	15	15	300	250	200	150
	15	12	300	250	200	150
Boosted Scan	12	8	300	250	200	150
	8	8	300	125	200	150
HiRes Scan	12	8	150	125	100	75
	8	8	150	125	100	75
	6	6	150	125	100	75
Patient Position	Standing or seated and wheelchair accessible					
Reconstruction Time	Approximately 1 minute					
Weight	Scanner unit: 600 lb (272 kg), Control box: 220 lb (100 kg)					
Software	NNT™ with free viewer and sharing application					
Power Required	10A @ 100/115V~, 5A @ 200/215/230/240V~, 50/60Hz					

- Free Viewer and Sharing Application
- DICOM Conformant
- Improved Software Integration
- Small Footprint



CE
0051

SM-D160-03

Specifications subject to change without prior notice.

NewTom VGi is the commercial name for a special configuration of the medical device model NewTom VG.

ImageWorks
Generations of Imaging
250 Clearbrook Road, Suite 240
Elmsford, NY 10523 USA
914.592.6100
800.592.6666
www.ImageWorksCorporation.com

Manufactured by QR srl
Via Silvestrini 20
37135 Verona
+39 045 8202727
+39 045 583500
www.qrverona.it

NewTom
Cone Beam 3D Imaging