



8 Westchester Plaza, Suite 112, Elmsford, NY 10523 • (914) 592-6100 • Fax (914) 592-6148  
www.ImageWorksCorporation.com

---

## Panoura 18S Pre-Installation Questionnaire

This questionnaire must be completed in full and faxed back to ImageWorks at 914.592-6148 no later than 2 weeks prior to your scheduled installation. All the information requested by this form is very important for a proper and efficient installation. Your cooperation in this effort is greatly appreciated.

### **INSTALLATION SITE INFORMATION:**

Name: \_\_\_\_\_

Practice: \_\_\_\_\_

On-site Contact: \_\_\_\_\_

Phone: \_\_\_\_\_

Mobile/After-hours phone for On-Site Contact: \_\_\_\_\_

Address: \_\_\_\_\_

City: \_\_\_\_\_

State/Province: \_\_\_\_\_

ZIP/Postal Code: \_\_\_\_\_

Fax: \_\_\_\_\_

Email: \_\_\_\_\_

Serial Number (if known) \_\_\_\_\_

## ELECTRICAL REQUIREMENTS

### NOTES:

- All electrical power supplies must be prepared in advance of beginning the Panoura 18S installation. It may be helpful to have the electrician available either via appointment or by telephone in the event that a troubleshooting session is needed on installation day.
- Installation MUST be performed by a certified electrician in compliance with local regulations.

### Panoura 18S Electrical Requirements:

The Panoura 18S is delivered with a 33 foot (10 meter) long power cable with a medical grade North American 3 prong plug.

Phases: 1 (single-phase)

Frequency: 50/60 Hz

Voltage: 115±10 V AC (under load)\* Input:  
2000 (VA)

Power outlet: Grounded outlet (conforming to the standards of different countries or regions) (Apply the grounding work equivalent to requirements of metal wires with ground resistance of 100Ω or more and pulling strength of 0.39kN or more, or soft copper wires with 1.6mm diameter or more.)

Apparent Resistance of Supply Mains:  $R < 3\Omega$

\* "Under load" refers to a state where the elevation motor or rotating arm motor are running and X-ray irradiation is in progress (including states involving concurrent operation).

The specific manner by which the power supply cable is connected to the main power network may depend upon national and local regulations on safety of electrical installations. The unit is delivered with a North American Medical Grade Plug. A certified electrician, skilled with local practices and regulations, should be consulted regarding the specific local requirements.

Is power supply on a dedicated circuit?

- Yes  
 No

### Additional Acquisition Computer Electrical Requirements:

One standard 115 Volt 15 Amp receptacle (with 2 outlet plugs) is required within 6 feet (2 meters) of the location where the acquisition computer will be placed.

Do you have the correct power supply (115V 15 Amp) located near the computer?

- Yes
- No

The standard set of cables is 30 feet (10 meters) long (between the computer and the Panoura 18S). For installations that require longer lengths, choose "Custom Set" below and write the measurement you need. The maximum limit is 60 feet (20 meters). For any lengths less than 30 feet (10 meters), the standard set is used.

- Standard Set
- Customer Set

Indicate Feet or Meters required \_\_\_\_\_

To comply with electrical and safety regulation, the computer MUST be located outside of the patient area with a distance of at least 4 feet (1.5 meters) from the patient.

The cables which connect the equipment and workstation have connectors/terminals at both ends. A proper path for the cables must be available to ensure clean routing. A hole (directly from one room to the next room, if necessary) approximately 2 inches x 2 inches (5 cm x 5 cm) is necessary for the connectors at the end of the cables to pass through.

**Plan ahead if you will need to route any of the control cables through walls or ceilings. One (1) cable runs from the Panoura 18S to the operator wall mount. Two (2) additional cables run from the Panoura 18S to the computer.**

## COMPUTER REQUIREMENTS

A workstation computer **IS REQUIRED** to operate the Panoura 18S. This computer is **NOT** supplied with the unit unless purchased separately from ImageWorks. The requirements for this computer are listed on the following page. Should you decide not to purchase the computer directly from ImageWorks, please review the computer specifications carefully before purchasing the computer to be used with the Panoura 18S.

**NOTE: Please make sure that all furniture necessary to house the computer is assembled and in place prior to installation.**

### **NETWORK SETUP:**

#### **NOTES:**

- ImageWorks is not responsible for the installation and maintenance of the office network. It is strongly recommended that your IT professional contact ImageWorks to ensure network and additional computer(s) meet proper specifications.
- Your IT systems administrator **MUST** be available during installation unless the unit will not be attached to the office network.
- The Panoura 18S's Ethernet **CANNOT** be run over the office LAN. It **MUST BE** run over a **DEDICATED CABLE**.

Do you have a network already installed?

- Yes  
 No

Is there a network outlet available for the computer running the Panoura 18S?

- Yes  
 No

If you selected No above, ImageWorks recommends having a network outlet installed if the network is going to be used.

Is a third-party responsible for servicing and maintaining your office network?

- Yes  
 No

If you selected Yes above, please provide contact information below:

Name of Third-Party Provider: \_\_\_\_\_

Phone Number: \_\_\_\_\_

Email Address: \_\_\_\_\_

Provide the windows computer name of the PC that will host the EVAsoft database. Note that this computer must be on, connected to your network with EVAsoft running for the client network to run.

Windows Computer Name: \_\_\_\_\_

Provide the computer names of all other PCs on which you plan to run EVAsoft

\_\_\_\_\_

\_\_\_\_\_

\_\_\_\_\_

\_\_\_\_\_

\_\_\_\_\_

\_\_\_\_\_

\_\_\_\_\_

\_\_\_\_\_

\_\_\_\_\_

\_\_\_\_\_

## Computer Requirements for ImageWorks' Panoura 18S

**Note:** ImageWorks strongly recommends you purchase a new computer for use with your Panoura 18S Digital Panoramic X-Ray system. A computer is NOT included with the purchase of a Panoura 18S. The computer needed has several atypical requirements so please double check the details of any computer you order to work with the Panoura 18S. Computer specifications detailed below are subject to change without notice.

### **Required Computer Specifications for ImageWorks' Panoura 18S with EVAsoft Dental Imaging Software:**

- Operating System - Microsoft Windows 8.1 or 7 (64 bits) Professional
- Intel i5 processor or better
- RAM - 4 GB minimum
- Minimum of 2 available USB Ports that are PCI Express x1
  - First slot is for dedicated Ethernet connection to the Panoura 18S. This is separate and in addition to connection to any Local Area Network (LAN) connections
  - Second slot is for a Serial RS-232 Port (Note: USB to RS232 adapters will NOT work)
- CD-R / DVD-R/RW
- Hard Drive - 500 GB
- Monitor with minimum resolution of 1280x1024 @ 32 bits color depth

### **Included with the Panoura 18S:**

- Ethernet GIGIBIT (PCI express) provided
- RS232 Card (PCI express) provided

### **General Notes:**

- ❖ Internet access is required to access the remote technical support provided by ImageWorks.
- ❖ ImageWorks strongly recommends that you consult your IT professional to ensure a Data Back-up system is in place for your dental office and the EVAsoft imaging software.
- ❖ Panoura 18S supports TWAIN for image transfers to imaging software other than EVAsoft Dental Imaging Software

## SOFTWARE REQUIREMENTS

### NOTES:

- The Panoura 18S is supplied with EVAsoft and the Panoura software for use on a single network.
- ImageWorks' recommends you speak with ImageWorks' technical support team prior to your install date to ensure this configuration is correct for your anticipated usage AND to ensure there are no additional requirements for Practice Management Integration and related software.
- ProIntegrate bridging software is available (as an optional add-on) if the clinic Practice Management software does not natively bridge to EVAsoft.
- The Panoura 18S supports TWAIN for image transfers to imaging software other than EVAsoft.

Please list any software or hardware other than that provided by ImageWorks that you intend to have the Panoura 18S interface with:

---

---

---

---

---

---

---

---

---

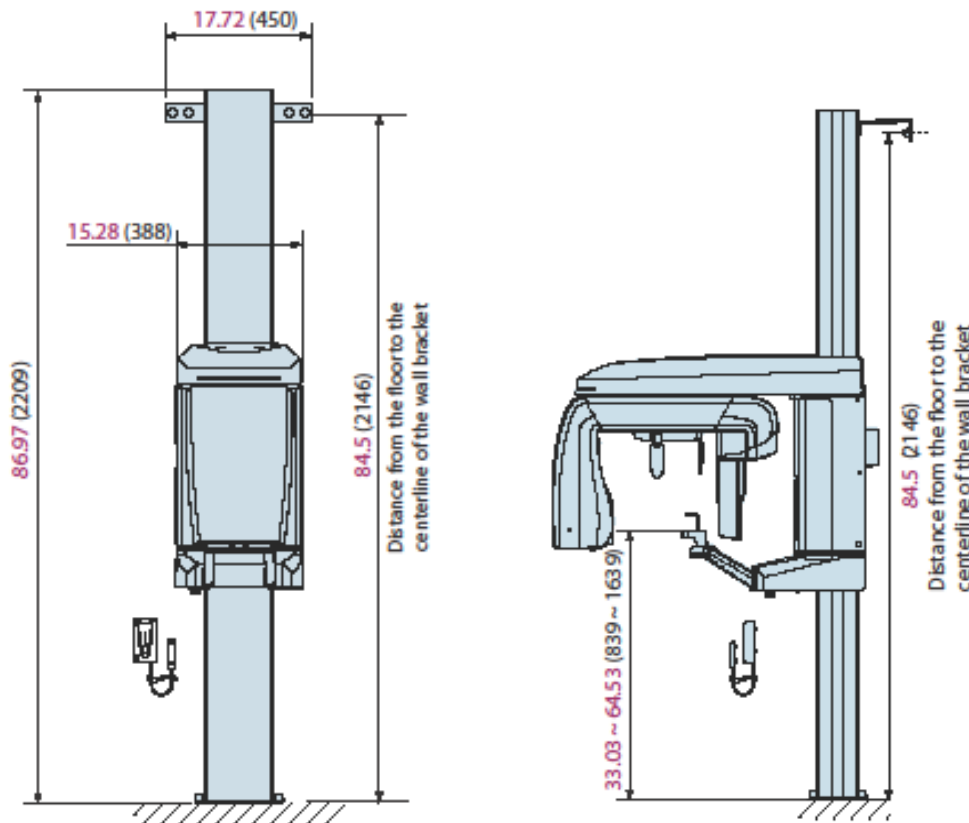
---

## PANOURA ROOM DIMENSIONS

The minimum footprint required for the Panoura 18S can be determined from the drawings below. The minimum installation height is 92 inches (234 cm). The minimum width of passages for moving in the equipment parts at installation must be at least 28 inches (70cm). The Panoura 18S **MUST** be installed on a flat horizontal floor. The Panoura 18S system with ceph arm and base stand weighs approximately 550 lbs. This is the heaviest of the Panoura 18S models.

Diagrams of the unit are provided below to ensure it fits into the room. Please confirm by measuring the room and providing a diagram of the room showing placement of the machine. Complete Installation Instructions are included in the manual provided with the unit. The operator control panel is located on the left side of the column. Plan the installation to allow an operator to access the control panel during normal operation.

### Pan Only

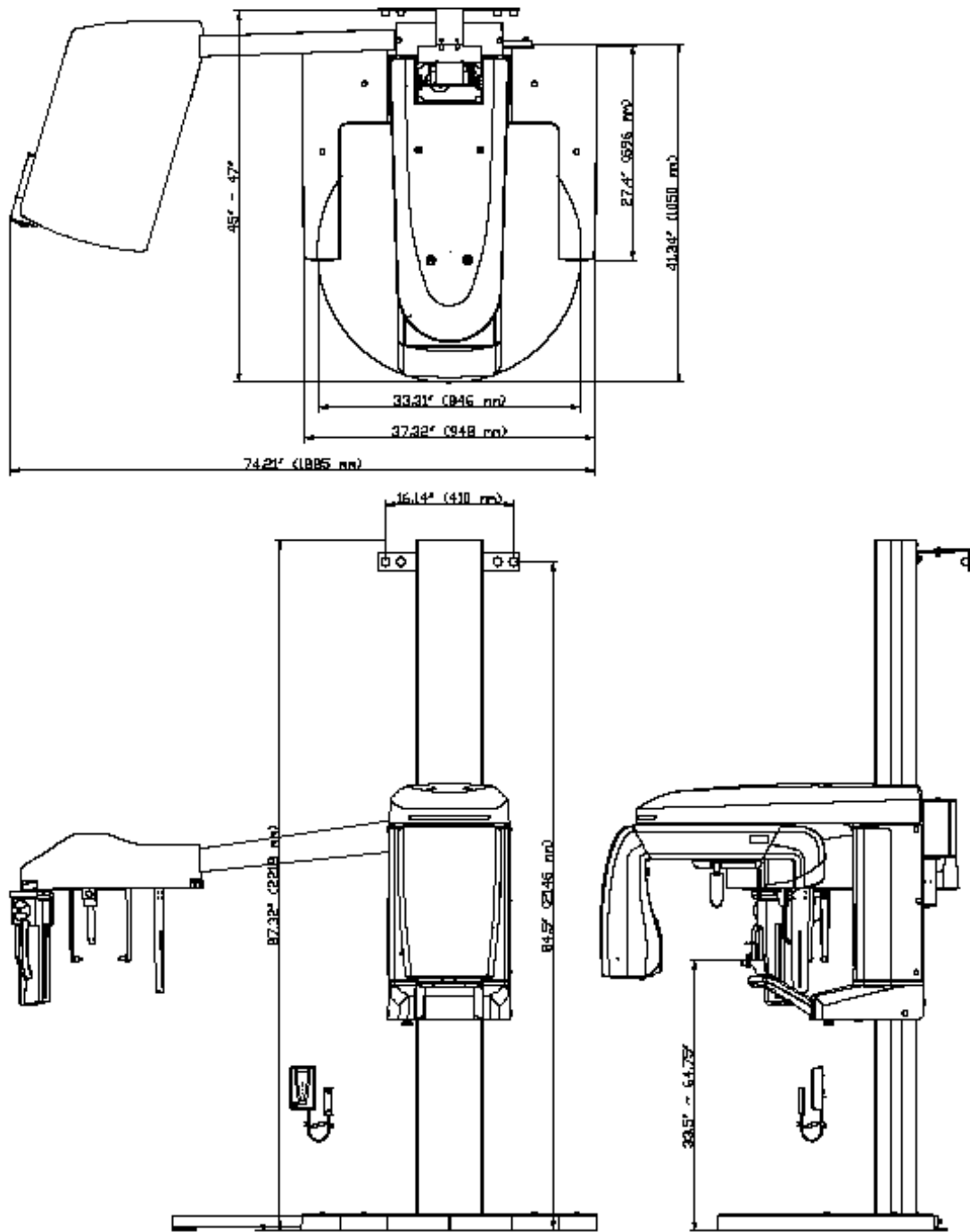


**ARM rotation diameter is approximately 34 inches (850mm)**



# Pan with Ceph

Standing position base-mount (with an optional wide base): Cephalo-attached type



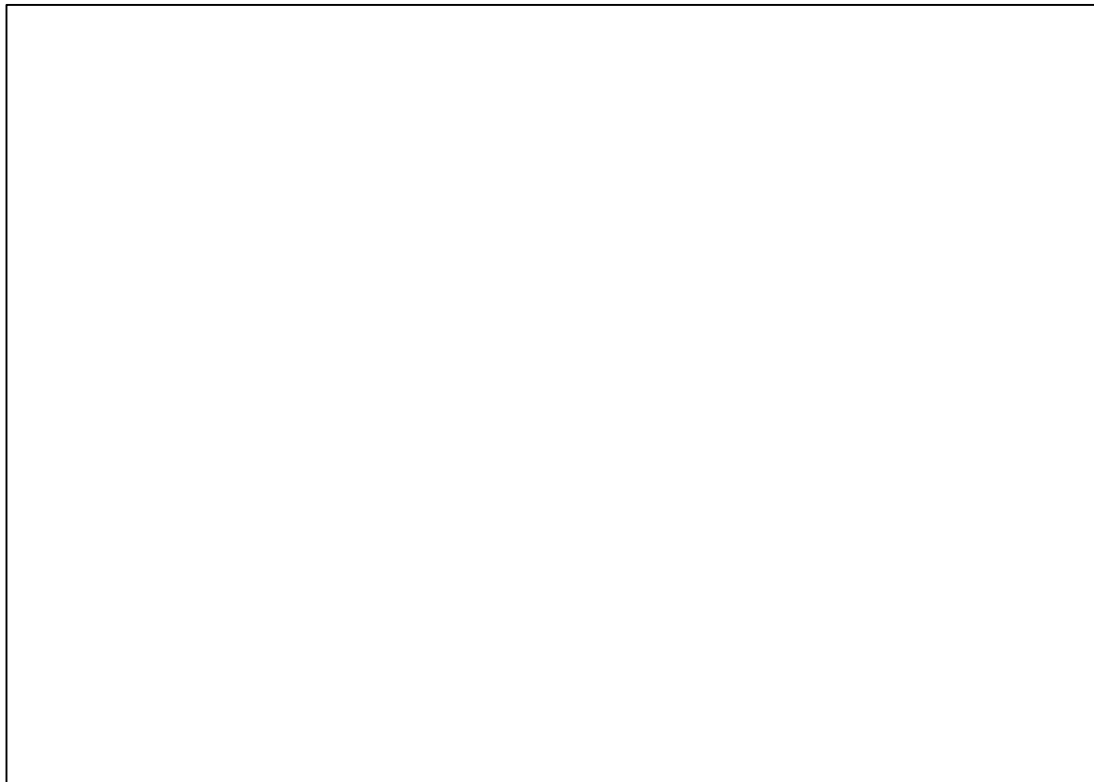
The unit is supported by its legs and can be free-standing with an optional base stand. However, when possible, it is strongly recommended for further rigidity, stability, and safety that the unit is also fastened to a wall via the provided brackets and bolts of a type suitable for the specific wall, approximately 16 inches (41 cm) apart and approximately 84.5 inches (2.14 m) from the floor. The maximum load that each fixation must be capable to withstand is not critical since the bolts mainly have the purpose to stabilize, but the load is mostly born by the legs/base.

Please provide the room dimensions below. Specify whether the measurements are in feet or meters by circling the appropriate label.

\_\_\_\_\_ feet or meters by \_\_\_\_\_ feet or meters

**Room Diagram:**

In the box below, draw a diagram of the room where the Panoura 18S will be installed and, if possible, the path which will be taken from the door to the room. Please indicate where in the room the Panoura 18S will be located.



**Note: Plan ahead if you will need to route any of the control cables through walls or ceilings. One (1) cable runs from the Panoura 18S to the operator wall mount. Two (2) additional cables run from the Panoura 18S to the computer.**



## OTHER SUGGESTIONS TO ENSURE AN EFFICIENT INSTALLATION

Below are a few suggestions that will improve and optimize the installation of the Panoura 18S:

- Plan for the operator of the unit. When positioning the patient in the Panoura 18S, the operator stands to the left of the column.
- Have at least one person available for the entire time of the installation. This person will receive software training and other information and suggestions about the Panoura 18S, which can then be shared with other staff members. There are many opportunities to learn about the Panoura 18S's technology, calibration, maintenance, and design which are apparent as the machine is assembled and tested. It is helpful for the on-site person to learn from the installation team.
- Try to keep your schedule for the day(s) of the installation as clear as possible. Installation means receiving a lot of new information. **ImageWorks does not recommend installation just before a weekend or holiday to maximize retention of the information.**
- Be sure the room for the Panoura 18S is clean and free of any objects. This will help ensure to perform a proper and efficient installation.
- Please make sure that all construction to new rooms/facilities is complete before installation. The Panoura 18S, once setup and calibrated, cannot easily be moved. Please plan on the unit being in a completely fixed location after installation.
- Please call ImageWorks at least a few days ahead of the scheduled installation at 914.592.6100 to ensure we are aware of the upcoming installation and can have a specialist available in case you have questions during the installation.
- Load the operating system and **ALL** the Microsoft updates on the computer to be used with the Panoura 18S the day **before** the installation to avoid waiting for hours as the new computer downloads Microsoft updates on the date of installation.

Items that may be handy to have available during installation and training are:

- Lead Aprons
- Standard Tools for Install, including:
  - No.2 Phillips screwdriver
  - No.2 Philips "stubby" short screwdriver (to access behind system)
  - Allen (Hex) wrenches (1.5 - 8 mm)
  - Box wrench (5.5 mm)
  - Open end wrenches (5.5 - 19 mm)
  - Tape measure with metric (mm/cm) scale
  - Wire cutters.
  - Jeweler's type screwdrivers
  - Digital Voltmeter (Vac/Vdc, Ohms)
  - Power drill
    - Masonry drill bits (4 mm bit for pilot holes, 12.5 mm bit for anchor bolts)